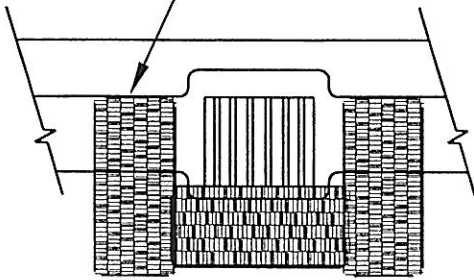
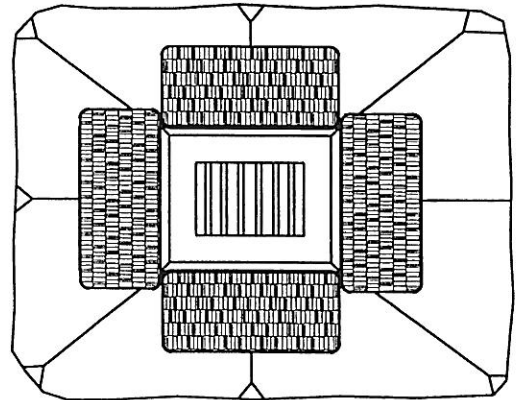


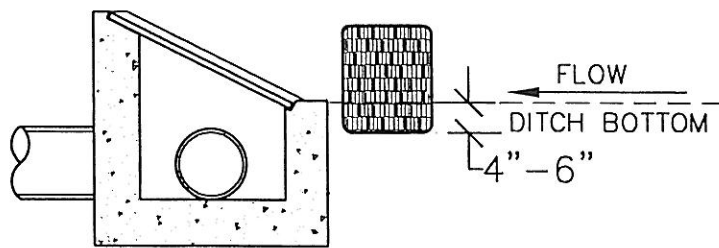
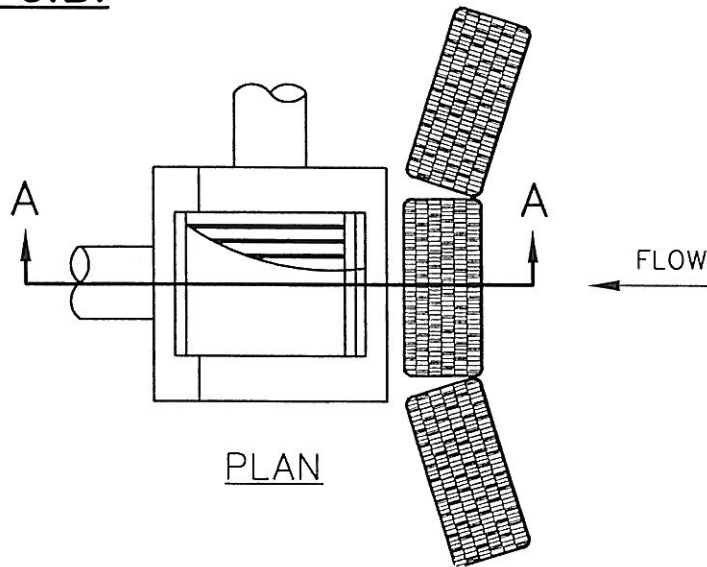
MAY BE USED SHORT TERM
W/UTILITY WORK AND WITH
PHASING OF DEVELOPMENT.



TYPE II C.B.



TYPE I C.B.



TYPE III C.B.

LAST REVISION DATE:

MAY 1998

BIOFILTER BAGS

(NTS)

JUNCTION CITY, OR

DRAWING NO.

613