

TOP VIEW

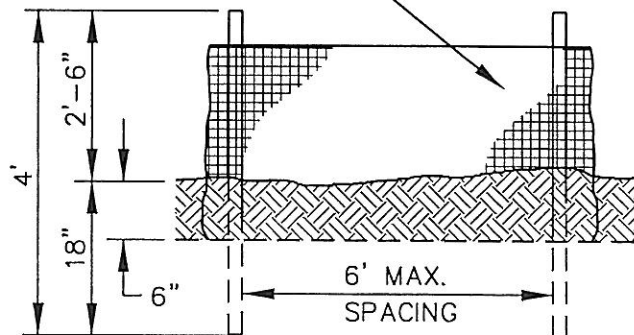
GENERAL NOTES:

1. BURY BOTTOM OF FILTER FABRIC 6" VERTICALLY BELOW FINISHED GRADE.
2. 2"x2" FIR, PINE OR STEEL FENCE POST.
3. STITCHED LOOPS TO BE INSTALLED UPHILL SIDE OF SLOPE.
4. COMPACT ALL AREAS OF FILTER FABRIC TRENCH.

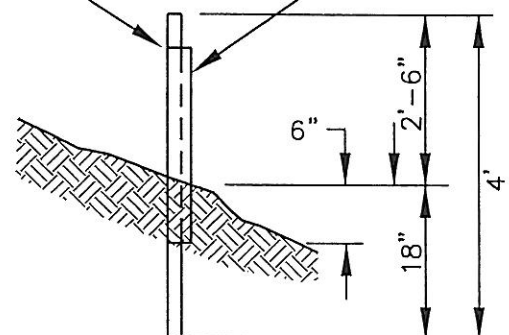
FILTER FABRIC MATERIAL  
36" WIDE ROLLS.

FILTER FABRIC MATERIAL

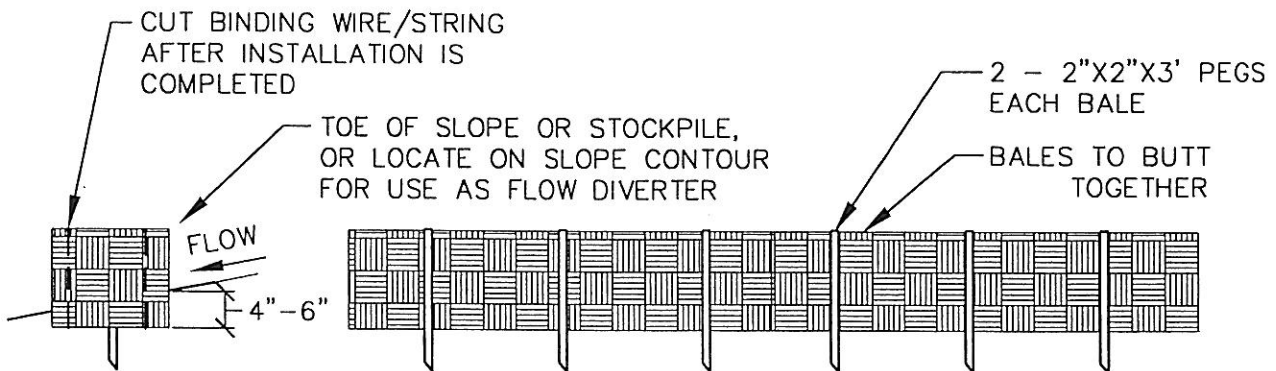
USE STITCHED LOOPS  
OVER 2"x2" POSTS



FRONT VIEW



SIDE VIEW



STRAW BALE OPTION

STRAW BALE NOTES:

1. EMBED BALES 4"-6"
2. DRIVE STAKES MIN. 12" INTO GROUND SURFACE.
3. DRIVE STAKES FLUSH TO TOP OF BALES.

LAST REVISION DATE:  
MAY 1998

SEDIMENT FENCE

(NTS)

JUNCTION CITY, OR DRAWING NO. 611