

NOTE: WATER SERVICE LINE TO BE PERPENDICULAR TO STREET FROM METER BOX TO MAINLINE.

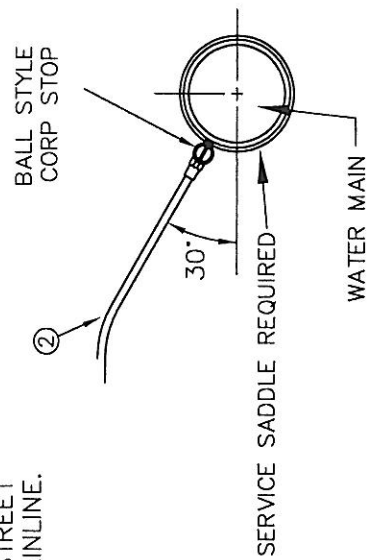
NOTE: PER ORS 92.044(7), METER BOXES MUST BE SET 1' MINIMUM CLEAR FROM ANY SURVEY MONUMENT

## 2" & LARGER SERVICE

### MATERIALS

- ① FLG X FLG RESILIENT WEDGE GATE VALVE PER AWWA C-509. 4" DIA. OR SERVICE SIZE, WHICHEVER IS LARGER. EPOXY COATED PER AWWA C-550.
- ② PHILLIPS DRISCOPIPE 5100 (AWWA C-901) COPPER TUBE SIZE.
- ③ METER STOP ASSEMBLY W/BYPASS PER PUBLIC WORKS REQUIREMENTS. SEE DETAIL 516 FOR 1-1/2" & 2" SERVICES.
- ④ CONCRETE METER BOX FOR 1-1/2" AND 2" SERVICES SHALL BE ARMORCAST A6001640PCX12 W/A6001643 LID IN TRAFFIC AREAS A6001640PCX12 W/A6001643R ELSEWHERE METER VAULT FOR LARGER SERVICE PER PUBLIC WORKS REQUIREMENTS. PROVIDE W/TOUCH-READ SENSOR KNOCKOUT.

## 1-1/2" SERVICE



### NOTES

- 1. SUBSTITUTES FOR ANY MATERIAL SHOWN SHALL BE APPROVED BY THE CITY ENGINEER.
- 2. ALL PIPE AND STRUCTURE ZONES SHALL BE BACKFILLED USING 3/4" MINUS GRANULAR MATERIAL AND COMPACTED TO 95% MAX DENSITY AS DETERMINED BY ASHTO T-180.
- 3. METER BOX SHALL BE CENTERED OVER THE COMPLETED METER AND FITTING ASSEMBLY.
- 4. CUSTOMER SHALL INSTALL AN APPROVED BACKFLOW PREVENTION DEVICE ON PRIVATE PROPERTY IMMEDIATELY DOWNSTREAM OF WATER METER.

LAST REVISION DATE: MAR 2008	COPYRIGHT 1996 WESTECH ENGINEERING, INC
<b>TAPPING REQUIREMENTS, 1-1/2" AND LARGER SERVICE</b> (NTS)	
JUNCTION CITY, OR	DETAIL NO. <b>517</b>