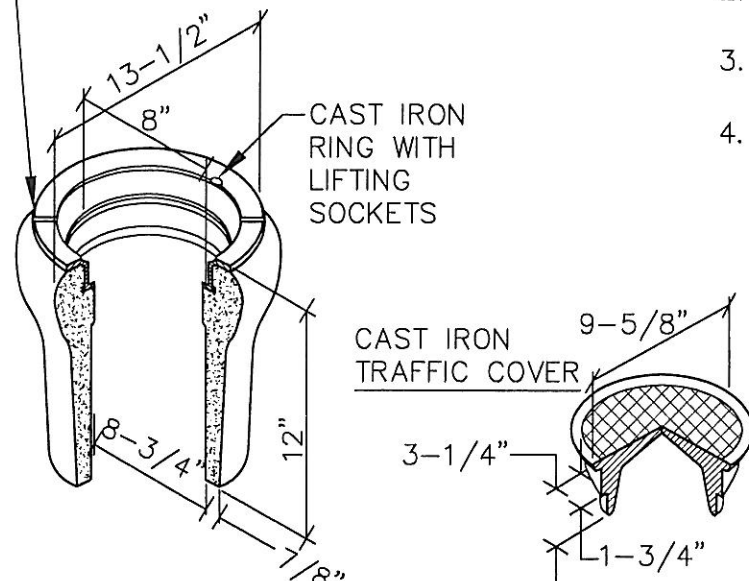


NOTCH 1/8" DEEP
INDICATING DIRECTION
OF FLOW THROUGH
VALVE (BOTH SIDES)



BROOKS NO. 1RT VALVE BOX

NOTES:

1. GV SHALL CONFORM TO AWWA C-509.
2. VALVE BOXES SHALL BE PLUMB AND CENTERED DIRECTLY OVER VALVE NUT.
3. VALVE BOX TOP SHALL BE ADJUSTED TO MEET FINISHED GRADE.
4. PVC SHALL BE ONE CONTINUOUS PIECE, NO BELLS OR COUPLERS.

LAST REVISION DATE: DEC 2007	COPYRIGHT 1996 WESTECH ENGINEERING, INC.
GATE VALVE AND VALVE BOX DETAIL	
(NTS)	
JUNCTION CITY, OR	DETAIL NO. 501