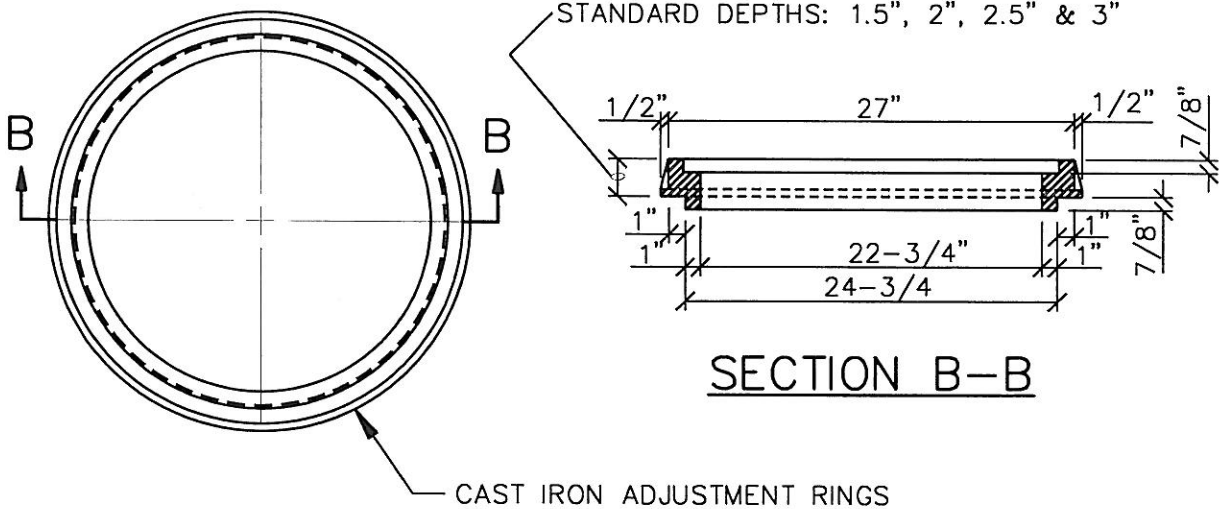


TYPICAL MANHOLE GRADE ADJUSTMENT



SECTION B-B

MANHOLE ADJUSTMENT RINGS
FOR RESURFACING ONLY

NOTES:

1. CAST IRON ADJUSTMENT RINGS ALLOWED ONLY WITH OVERLAYS AND NOT ON NEW MANHOLES. MAXIMUM 1 ADJUSTMENT RING PER MANHOLE.
2. SANITARY SEWER - 2 HOLE LIDS
STORM DRAINS - 16 HOLE LIDS

LAST REVISION DATE: COPYRIGHT 1996
WESTECH ENGINEERING, INC
JANUARY 1998

**MANHOLE RIM
ADJUSTMENT DETAILS**

CITY: DRAWING NO.
JUNCTION CITY, OR **407**