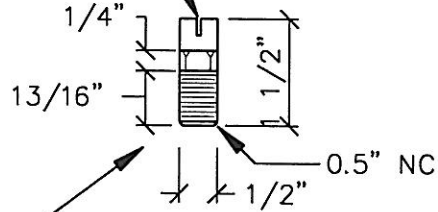
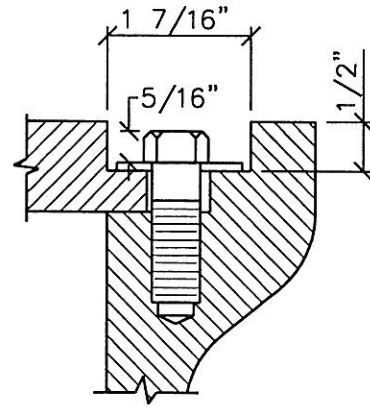
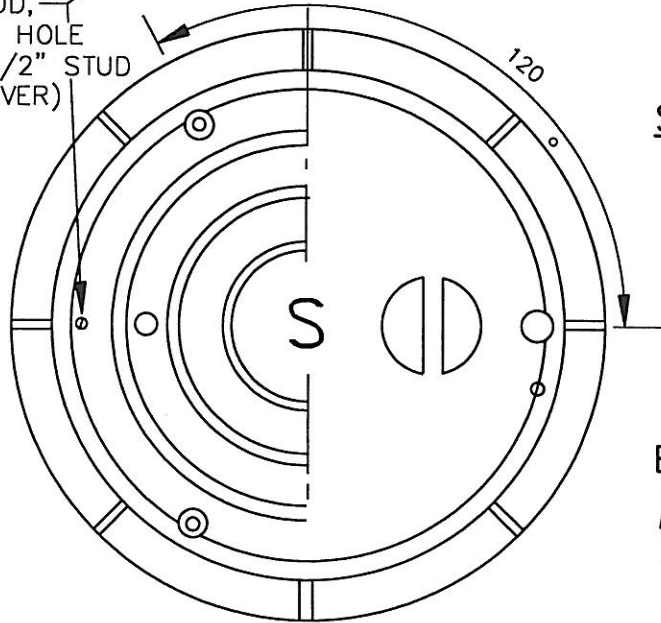


SLOT FOR SCREWDRIVER

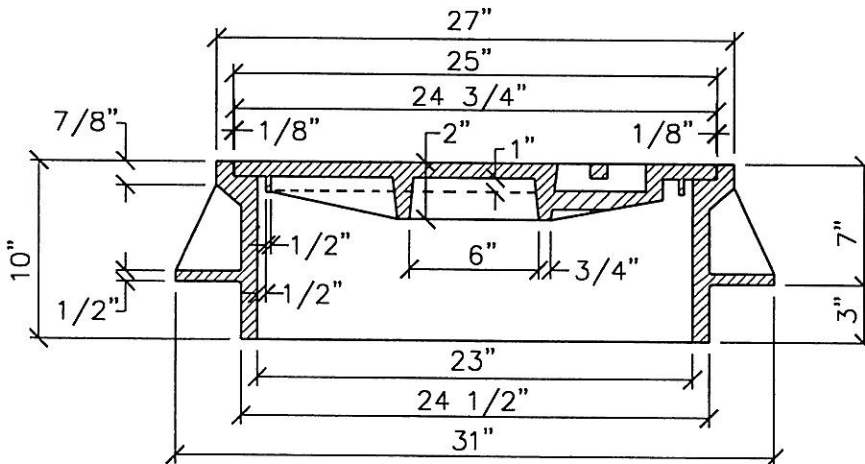
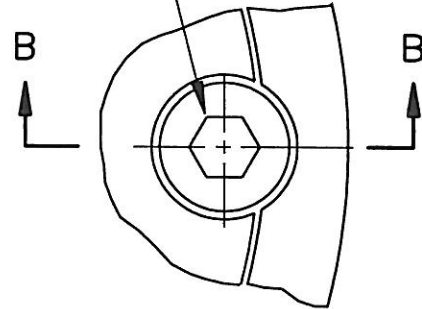


LOCATING STUD,
DRILL 25/64" HOLE
& TAP FOR 1/2" STUD
(ONE PER COVER)



SECTION B-B

1/2"-13NCx1"
STAINLESS STEEL
HEX HEAD
CAP SCREW



SECTION A-A

NOTES:

1. COVER AND FRAME TO BE MACHINED TO A TRUE BEARING ALL AROUND.
2. MATERIAL SHALL BE OF GRAY CAST IRON ASTM A-48, CLASS 30.

LAST REVISION DATE:
JANUARY 1998

**LOCKDOWN
MANHOLE FRAME AND COVER**

CITY:
JUNCTION CITY, OR

DRAWING NO.
406