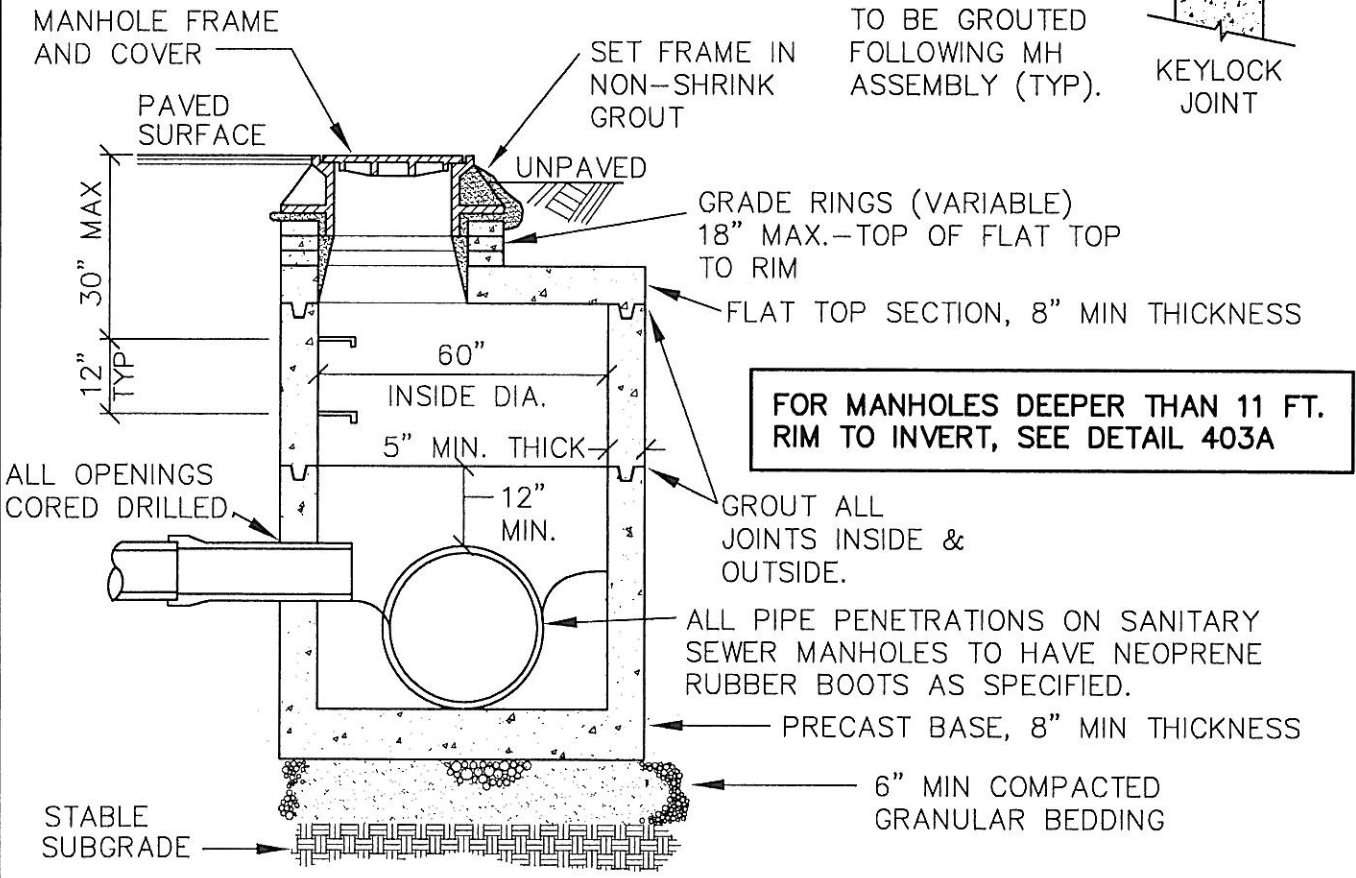
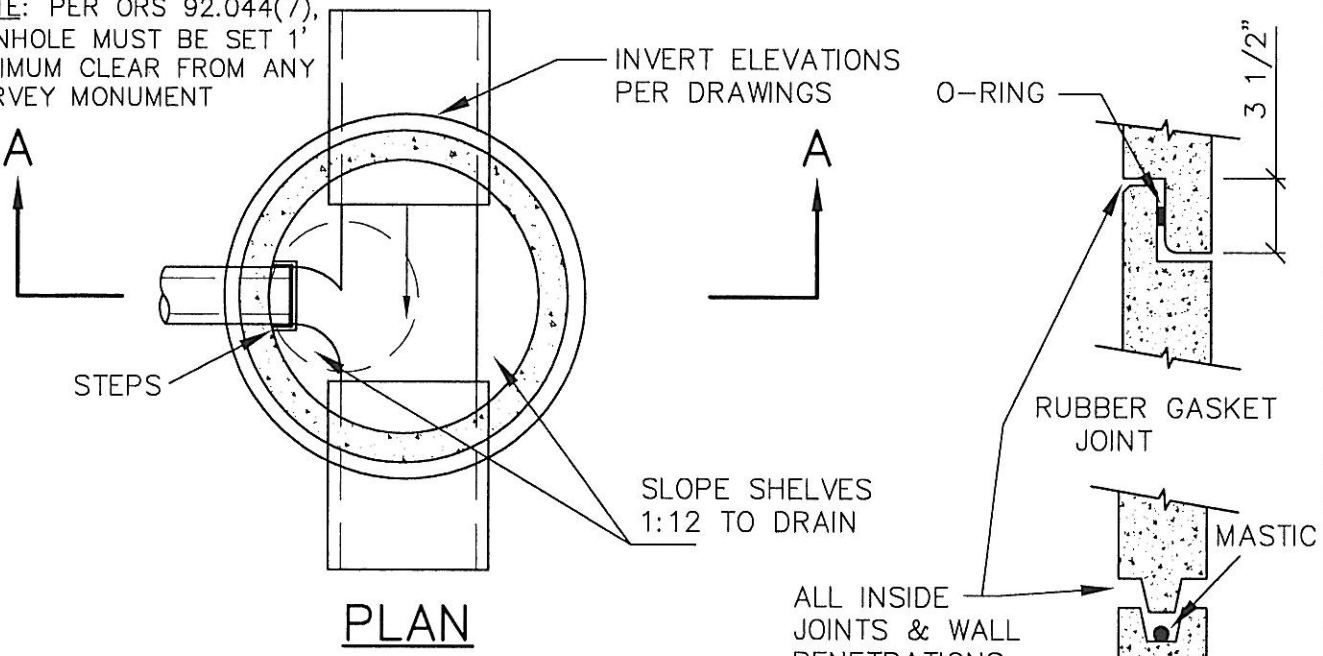


NOTE: PER ORS 92.044(7),  
MANHOLE MUST BE SET 1'  
MINIMUM CLEAR FROM ANY  
SURVEY MONUMENT



LAST REVISION DATE: MAR 2008	COPYRIGHT 1998 WESTECH ENGINEERING, INC.
<b>MANHOLE FOR 24" AND 27" PIPE</b>	
(NTS)	
JUNCTION CITY, OR	DETAIL NO. <b>403</b>

- NOTES:**
1. PRECAST SECTIONS SHALL MEET OR EXCEED ASTM C-478.
  2. WATERTIGHT O-RING OR MASTIC KEYLOCK JOINTS REQUIRED.
  3. STEPS TO BE FACTORY INSTALLED POLYPROPYLENE PLASTIC WITH GRADE 60 REINFORCING ROD.