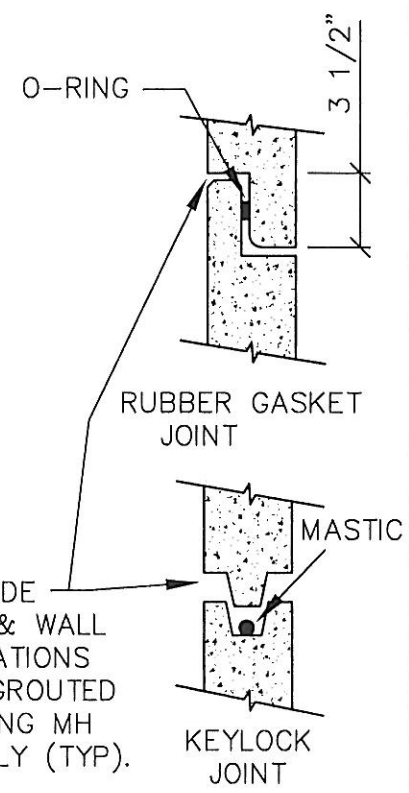
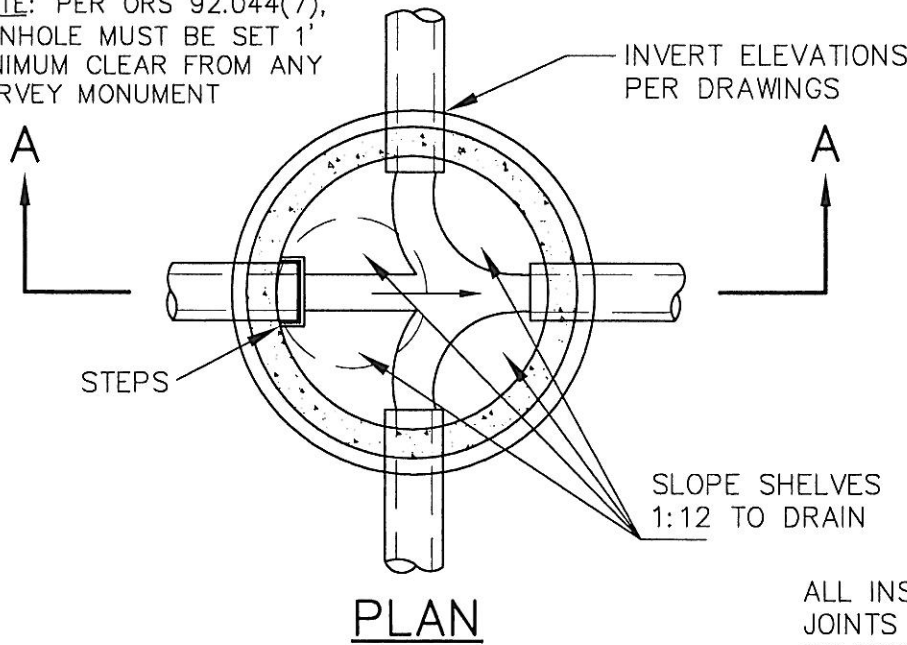
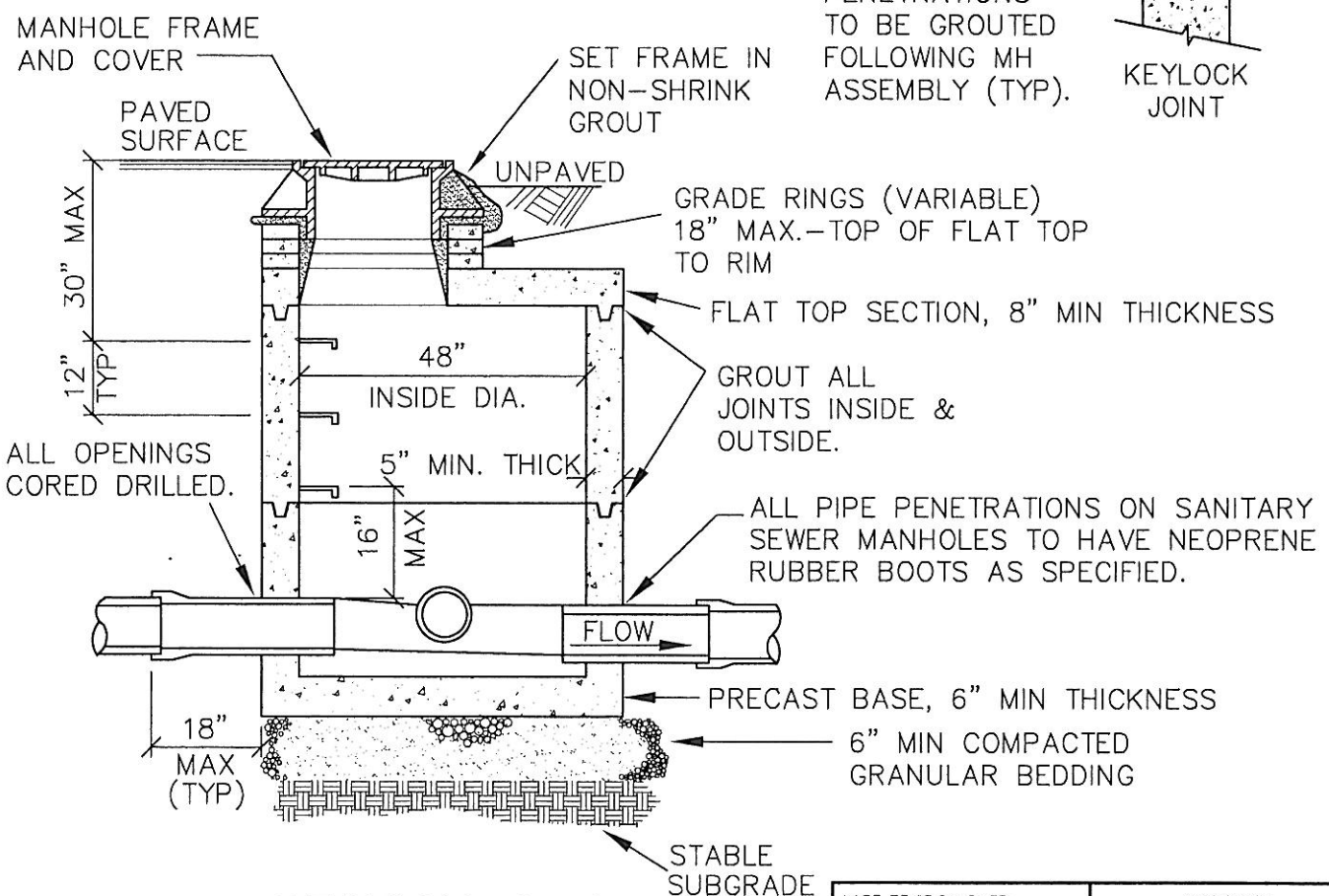


NOTE: PER ORS 92.044(7),
MANHOLE MUST BE SET 1'
MINIMUM CLEAR FROM ANY
SURVEY MONUMENT



ALL INSIDE
JOINTS & WALL
PENETRATIONS
TO BE GROUTED
FOLLOWING MH
ASSEMBLY (TYP).



SECTION A-A

- NOTES:
1. PRECAST SECTIONS SHALL MEET OR EXCEED ASTM C-478.
 2. WATERTIGHT O-RING OR MASTIC KEYLOCK JOINTS REQUIRED.
 3. STEPS TO BE FACTORY INSTALLED POLYPROPYLENE PLASTIC WITH GRADE 60 REINFORCING ROD.

LAST REVISION DATE: MAR 2008	COPYRIGHT 1996 WESTECH ENGINEERING, INC
FLAT TOP MANHOLE FOR 21" PIPE AND SMALLER	
(NTS)	
JUNCTION CITY, OR	DETAIL NO. 402