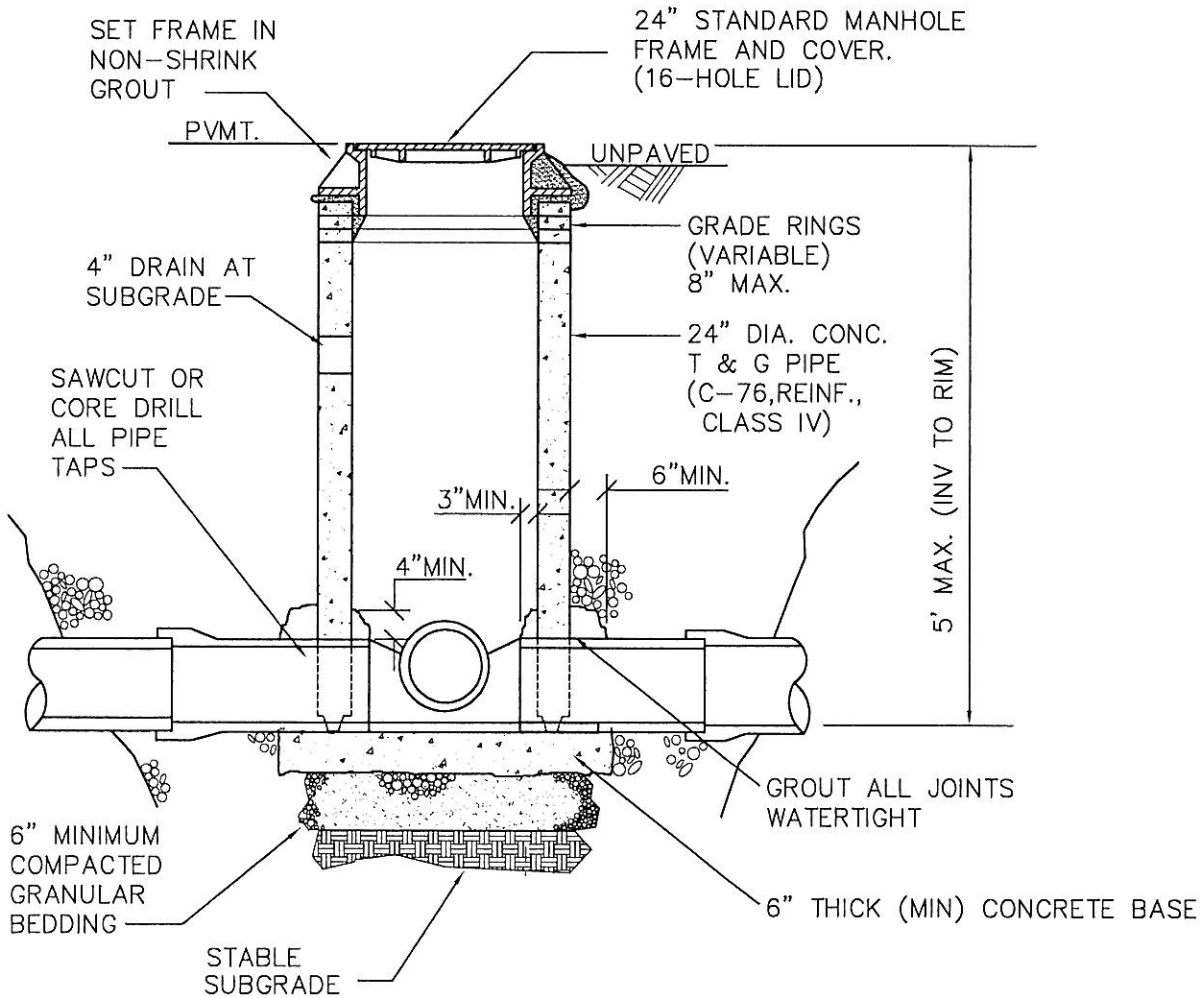


NOTE: PER ORS 92.044(7),
MANHOLE MUST BE SET 1'
MINIMUM CLEAR FROM ANY
SURVEY MONUMENT

PLAN

SLOPE SHELVES
1:12 TO DRAIN



SECTION A-A

NOTE:

1. MAXIMUM PIPE NUMBER & DIAMETERS AS FOLLOWS:
12" DIAMETER OR LESS - 4 MAXIMUM.
15" DIAMETER - 2 MAXIMUM.
ALL OTHER CONFIGURATIONS REQUIRE STANDARD MANHOLE.

LAST REVISION DATE: MAR 2008	
24" DIA. STORM MANHOLE	
(NTS)	
JUNCTION CITY, OR	DETAIL NO 350