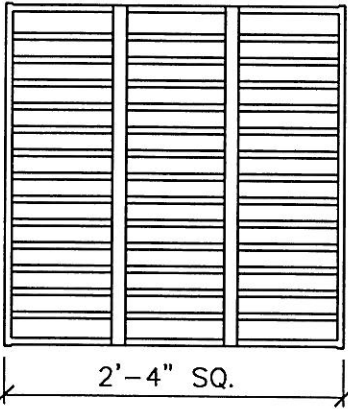
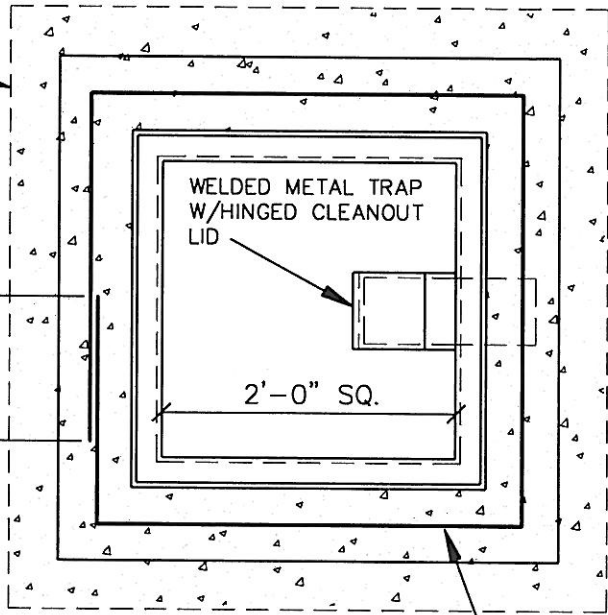


CAST-IN-PLACE
REINFORCED CONCRETE
SUPPORT COLLAR



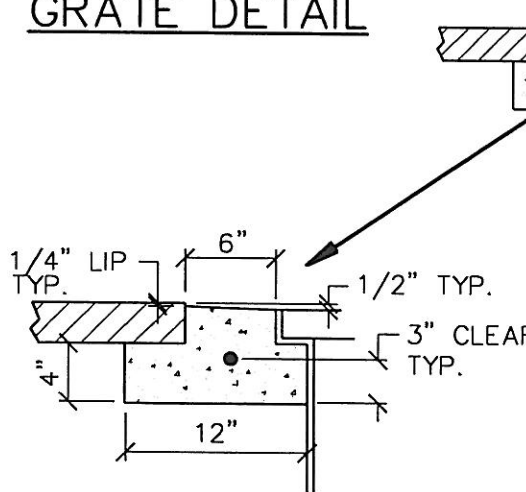
GRATE: WELDED STEEL DROP-IN
BAR GRATE (ASTM A36).
END BARS: 1/2" X 2"
CROSS BARS: 1/2" X 2" @ 2" O.C.
BIKE STRAPS: 1/8" X 1" (2 REQ'D)
16,000 LB. UNIFORM LOAD CAPACITY

GRATE DETAIL

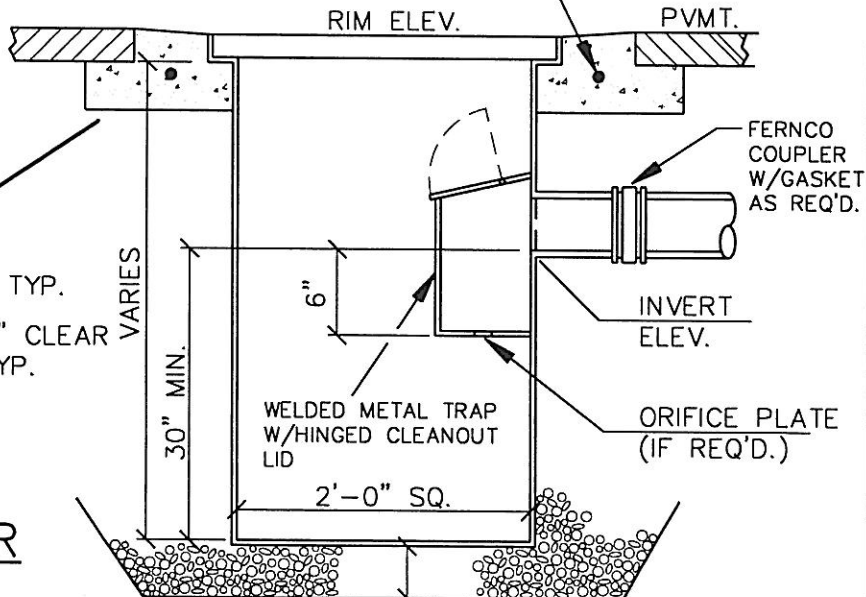


PLAN VIEW

#4 REBAR
CONTINUOUS



CONCRETE COLLAR



**CONSTRUCT BASIN OF WELDED
1/4\"/>**

NOTES:

1. SEE CONSTRUCTION DRAWINGS FOR PIPE SIZE, LOCATION AND INVERT ELEVATION.
2. OUTLET: SIZE AS REQ'D. FOR INDICATED PIPE SIZE.
3. FOR JUNCTION BOX, REPLACE GRATE WITH 3/4" STEEL PLATE. DRILL ONE, 1" LIFTING HOLE, CENTERED IN ONE END OF THE PLATE. WELD SHIMS TO RIM AS REQUIRED TO RAISE PLATE TO RIM ELEVATION.

LAST REVISION DATE:
JANUARY 1998

**PARKING LOT
CATCH BASIN
(LYNCH STYLE)**

CITY:
JUNCTION CITY, OR

DRAWING NO.
316