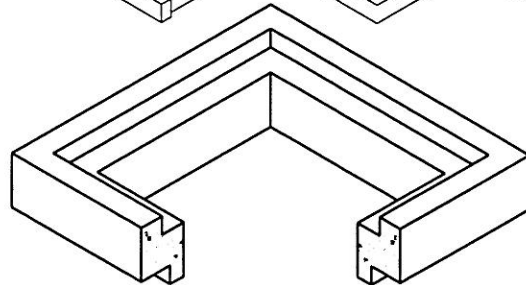
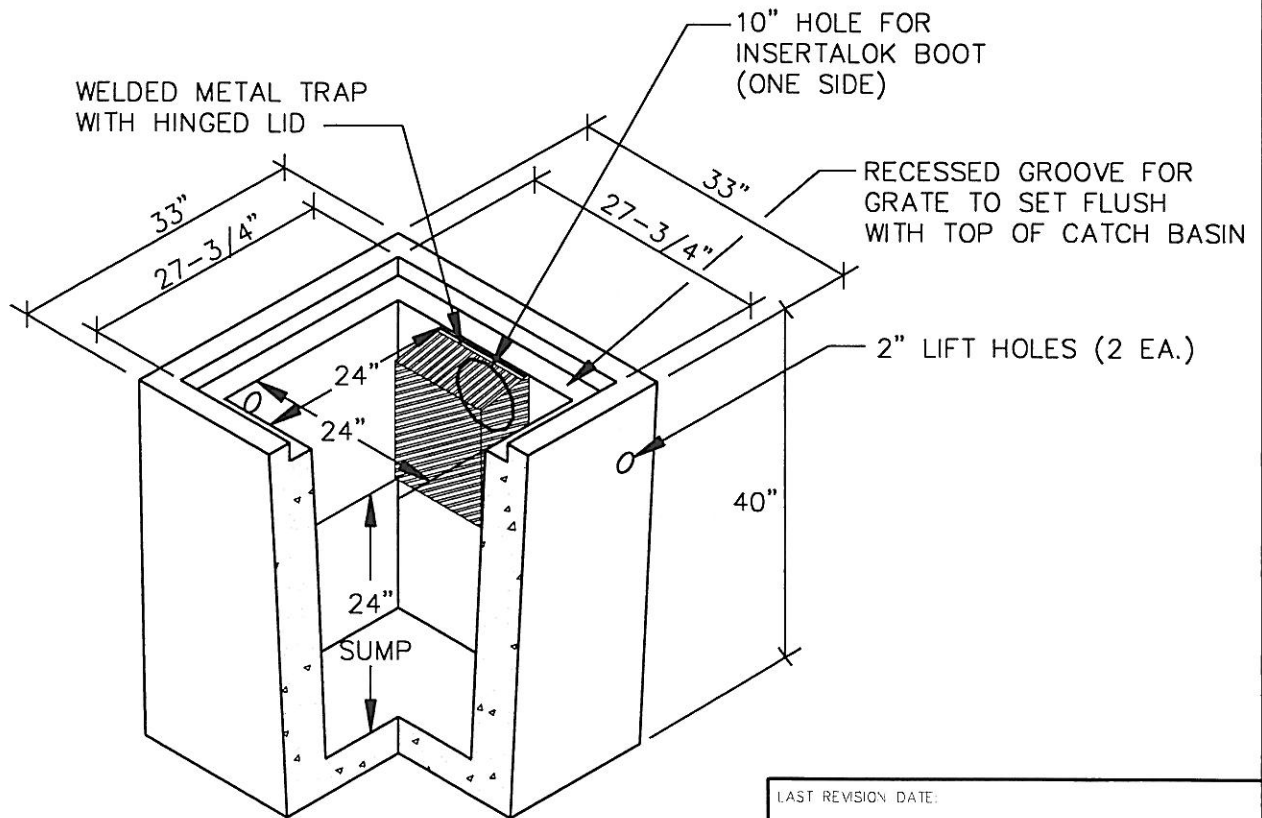


CAST IRON GRATE  
TRAFFIC LOADING



4", 6" AND 12"  
RISERS FOR ADJUSTMENT



**NOTES:**

1. SEE CONSTRUCTION DRAWINGS FOR PIPE SIZE, LOCATION AND INVERT ELEVATION.
2. CONCRETE SHALL BE 3300 PSI @ 28 DAYS.
3. REBAR SHALL CONFORM TO ASTM A615 GRADE 60.
4. REBAR = #4 BARS @ 6" C.C.

LAST REVISION DATE:  
JANUARY 1998

**PARKING LOT CATCH BASIN  
(PRECAST CONCRETE)**

CITY:  
JUNCTION CITY, OR

DRAWING NO.  
**315**