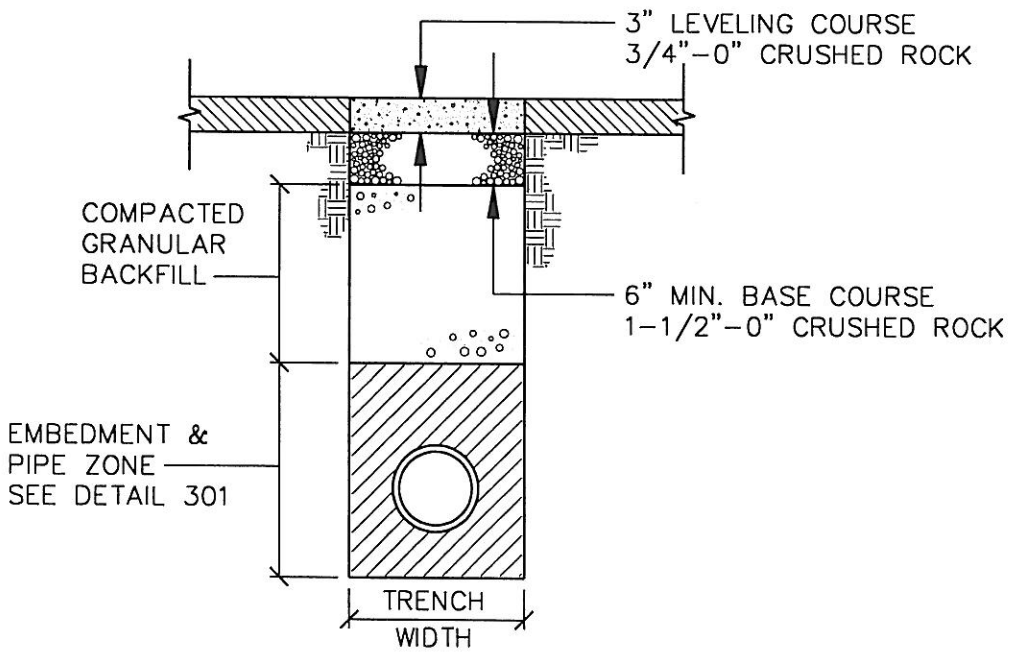


** WHERE ANY PORTION OF TRENCH EXCAVATION FALLS WITHIN SHOULDER LIMITS, RESTORE SHOULDER TO MIN. WIDTH OF 36"

CLASS 'C'
GRAVEL SHOULDER



CLASS 'D'
GRAVEL STREET

NOTES:

1. COMPACTION STANDARD WILL BE 92% OPTIMUM PER AASHTO T-180

LAST REVISION DATE: JANUARY 1998	
GRAVEL SURFACE RESTORATION	
CITY: JUNCTION CITY, OR	DRAWING NO. 303