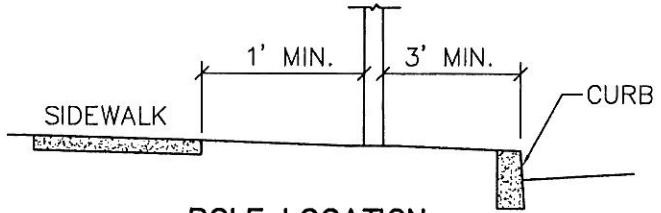


POLE BASE

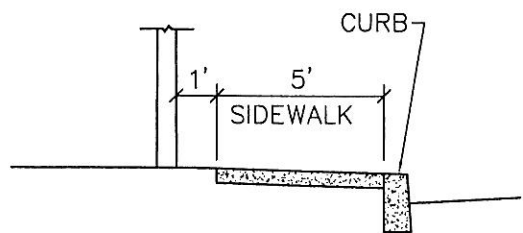
NOTE: PER ORS 92.044(7), STREET LIGHT MUST BE SET 1' MINIMUM CLEAR FROM ANY SURVEY MONUMENT

POLE SHALL BE PLUMBED VERTICALLY ± 1 DEGREE (TYPICAL)

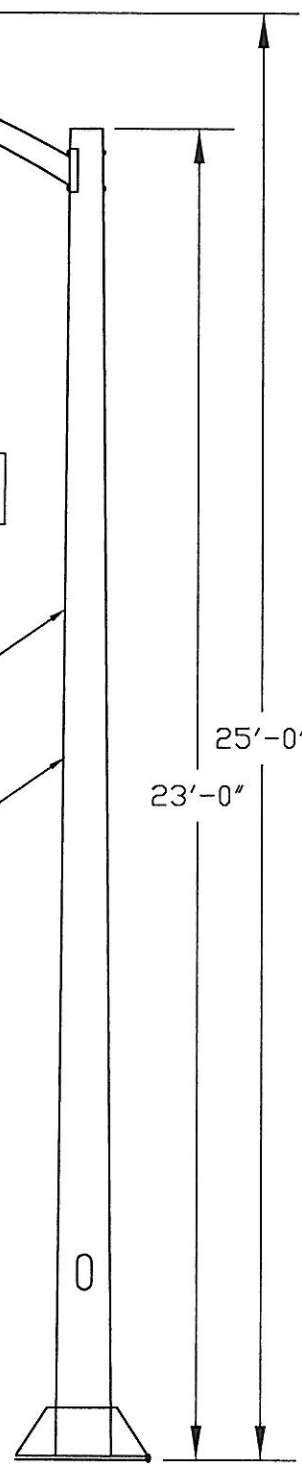
FIBERGLASS POLE (TYPICAL)



**POLE LOCATION
PROPERTY LINE SIDEWALKS**



**POLE LOCATION
CURBLINE SIDEWALKS**



LIGHT POLE

NOTES:

1. CONTRACTOR TO COORDINATE W/LOCAL POWER COMPANY FOR MATERIALS AND WORKMANSHIP REQUIREMENTS.
2. STANDARD LIGHT WITH 100 WATT FIXTURE (200 WATT FIXTURE USES SAME POLE)

LAST REVISION DATE:	
MAR 2008	
COBRA HEAD STREET LIGHT (EPUD SERVICE AREA)	
(NTS)	
JUNCTION CITY, OR	DETAIL NO. 231